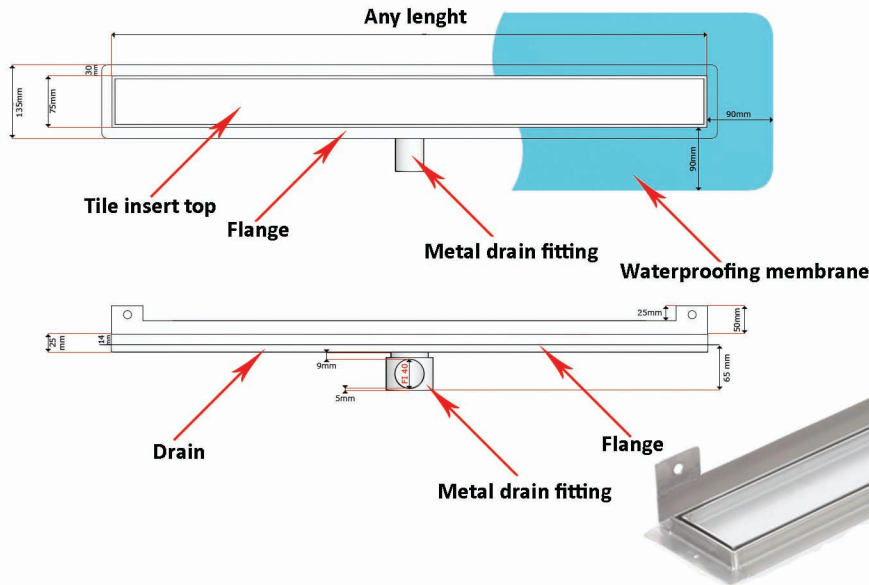


Tile insert WALL shower drains with curved flange "KWF_zab_m"

(stainless steel siphon fi40/fi50)

WALL PREMIUM SERIES

SHOWER DRAINS



THE SET INCLUDES:

- lid which enable tile top option
- drain channel
- stainless steel drain fitting which can be cleaned from above
- flange
- the trap and the outlet

Lid patterns available:
tile insert top



ASSEMBLY ACCESSORIES

- waterproofing membrane
- assembly legs
- customized length available
- possibility to move the outlet

TECHNICAL CHARACTERISTICS:

- drain width with flange 135mm
- grate width 75mm
- drain high up to flange 65mm
- width of place to put tile in - 56mm
- water outlet diameter fi50
- flow rate 35l/min
- warranty cover period - 5 years
- material used for this drain type - stainless steel 304

High quality products
Shower Drains - 100 % stainless steel!